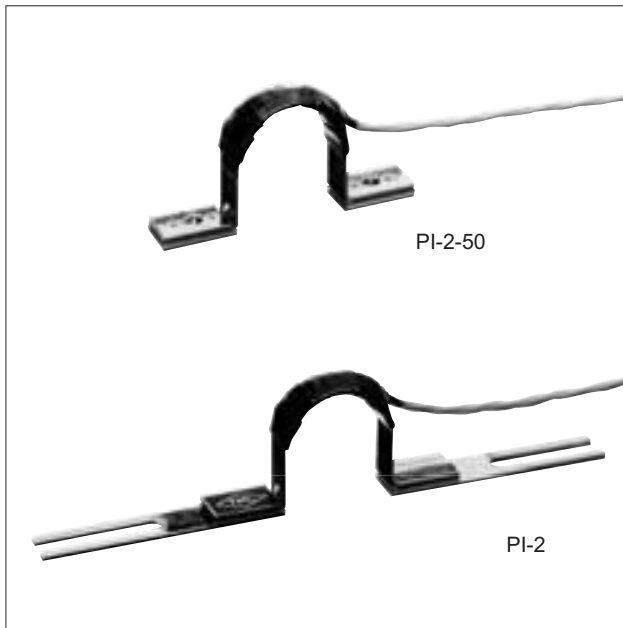


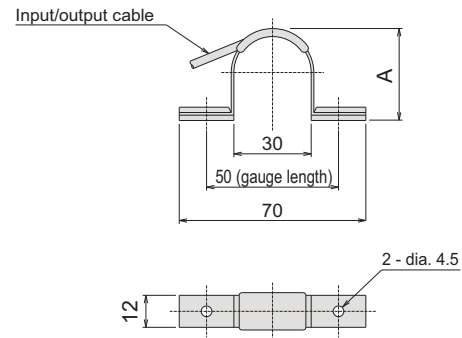
PI Displacement Transducer

(±2 mm / ±5 mm)

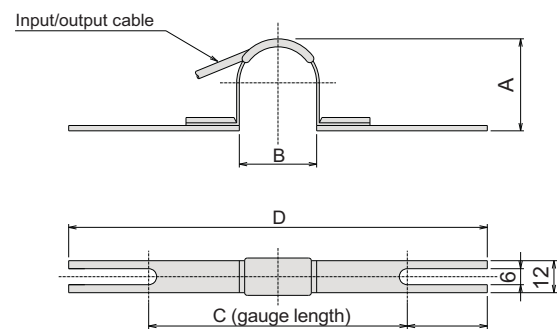


The PI displacement transducer has a simple structure: a combination of strain gauges and an arch-shaped spring plate, the former attached to ends of the latter. Six models designed for gauge lengths of 50 mm to 300 mm are available. This transducer is used to measure the crack opening displacement occurring within each gauge length on the surface of concrete or to measure the displacement of various structures.

PI-2-50 / PI-5-50



PI-2 / PI-5



Specifications

Type	PI-2	PI-5
Gauge length (span)	50, 100, 150, 200, 250, 300 mm	
Capacity	±2 mm	±5 mm
Rated output	2 mV/V (4000 x 10 ⁻⁶ strain)	2.5 mV/V (5000 x 10 ⁻⁶ strain)
Sensitivity	approx. 2000 x 10 ⁻⁶ strain/mm	approx. 1000 x 10 ⁻⁶ strain/mm
Non linearity	1% RO	
Temperature range	0 ~ +40°C	
Input/output resistance	350 Ω	
Recommended exciting voltage	Less than 2 V	
Allowable exciting voltage	10 V	

Input/output cable: dia. 3 mm 0.09 mm² 4-core vinyl cable 2 m

Dimensions

Type	A	B	C (gauge length)	D	Weight (g)
PI-2-50	35		As per figure		40
PI-2-100	35	30	100	160	50
PI-2-150	35	30	150	210	60
PI-2-200	35	30	200	260	70
PI-2-250	35	30	250	310	80
PI-2-300	35	30	300	360	90
PI-5-50	50		As per figure		40
PI-5-100	45	40	100	160	50
PI-5-150	45	40	150	210	60
PI-5-200	45	40	200	260	70
PI-5-250	45	40	250	310	80
PI-5-300	45	40	300	360	90

Accessory

Dummy plate PIF-11

This plate is used to maintain the proper gauge length when mounting PIF-21 jig to test specimen.

Fixing Jig PIF-21

This jig is pre-mounted to concrete and other test specimen in order to screw-mount PI displacement transducer.

Type	Dummy plate	Fixing jig
PI-2-50 / PI-5-50	PIF-11-50	PIF-21-50
PI-2-100 / PI-5-100	PIF-11-100	PIF-21-100
PI-2-150 / PI-5-150	PIF-11-150	PIF-21-100
PI-2-200 / PI-5-200	PIF-11-200	PIF-21-100
PI-2-250 / PI-5-250	PIF-11-250	PIF-21-100
PI-2-300 / PI-5-300	PIF-11-300	PIF-21-100